



AMBIHOOK

simply **strong!**



AMBIHOOK V4

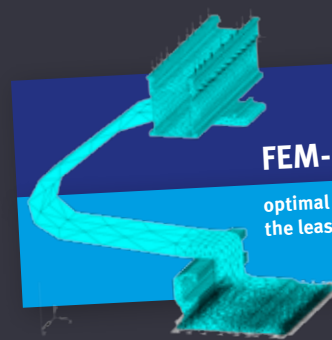
roof hook

for concrete and clay tiles

fully adjustable

extremely bearing

with EasyClick-Clamp



FEM-analyzed

optimal load capacity with the least amount of material

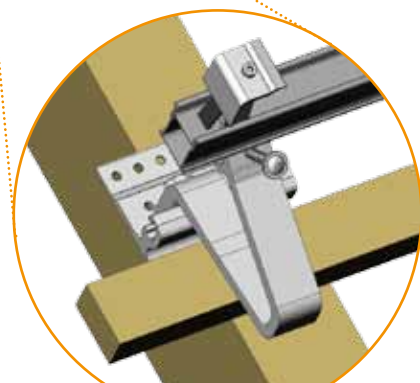
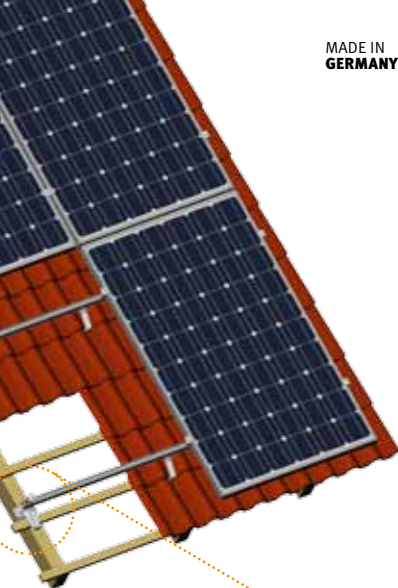
AMBIHOOK

PRODUCT SHEET

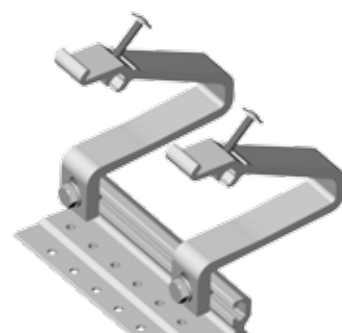
A versatile **roof hook system** also suited for **heavy snow loads**, featuring the **EasyClick** system for a particularly **fast installation**

FEATURES

- Made from 6060 T66 aluminium and 6083 aluminium, the shape-optimised **AmbiHook** acts self-supporting and **does not sit on the tile** under load
- The **patented system** with the protruding, pre-assembled locking screw **facilitates laying out** of the bearing profiles
- **Bend-proof inside connectors** interlock the bearing profiles with each other
- Now **only one tool**: Torx T30 for the wafer-head wood screws, the profile-locking screw and the EasyClick module and cross clamps**
- Base plate with **fine hole pattern** and **multiple adjustability** for an **easy and flexible installation**, even with narrow rafters
- The **EasyClick clamps** have been optimised using **FEM analysis** and rotate into the profile from the side **with very little effort**



Detailed view



AmbiHook Double - for extra strength

35-55 mm bar width and double construction available – super-bearing e.g. for alpine regions

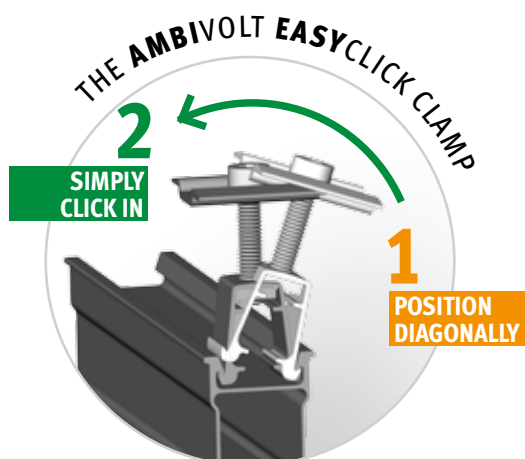
EASYCLICK CLAMPS

The EasyClick middle and end clamps can be set up for either 30-42 mm or 34-52 mm module frame height, and they click into place with a minimum of physical effort

TOOLS REQUIRED

- *Cordless screwdriver with Torx T30 bit*
- *Open-ended wrench (17 mm), where necessary*

* according to our warranty conditions in the download section of www.ambivolt.com, subject to changes (including technical changes); ** for lateral/height adjustment of the roof hook and wood screws deviating from standard, where necessary, additional tools are required

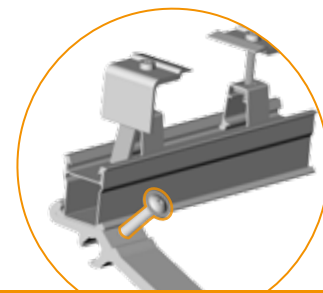


CE



EasyClick end clamp

continuously height-adjustable



protruding locking screw

facilitates laying out of the profiles